

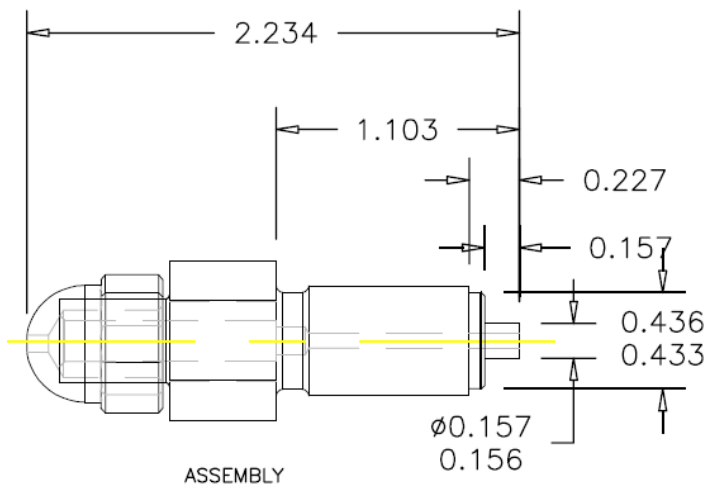
**Nozzle Body Model: TS-TJC36-2.0**

**End Cap & Extrusion Model: TS-DYN-TJ36-3.9**

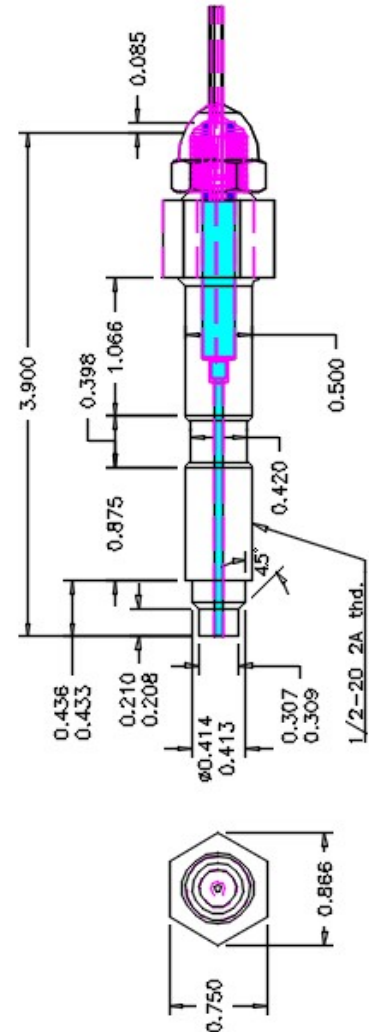
**Melt Sensor**

Description

Models TS-TJC36-2.0 and TS-DYN-TJ36-3.9 measure polymer melt temperature real time when in direct contact with the melt pool. The designs are industrial grade products manufactured to withstand the harsh environments of an injection or extrusion process where high temperatures, pressures and corrosion are prevalent. A protective high temperature flexible armored or glass cable extends from its body for increased flexibility and life.



TEMP~SENSE™ TS-TJC36-2.0



TEMP~SENSE™ TS-DYN-TJ36-3.9

**Features**

- 1-meter-long flexible High temp cable
- Upper temperatures of 700 C / 1290 F
- Pressure Range to 35,000 psi.
- 304 SS Sheathing Material for corrosion resistance
- “K” or “J” type TC Calibration
- Isolated from surrounding Steel, for extremely accurate Polymer readings

