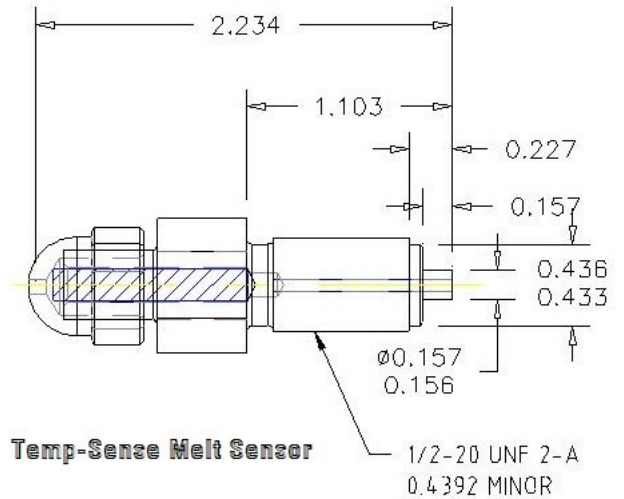


TEMP~SENSE™ MELT~PROFILER™ I

Melt~Profiler Concept

The process of Molding has changed considerably over the last decade relative to the microprocessor speeds of the Machines, use of servo valves, the implementation of electric injection and screw drives, expanded use of hot runner systems, more complicated molds, more demanding part applications and the proliferation of new Polymers. There has also been a considerable amount of work done on the best way to inject the polymer into the mold and more use of in-cavity sensors to control and or monitor the movement of the screw ram. The Temp-Sense™ Melt-Profiler I system is a stand alone DAQ system that uses our unique micro-bead melt sensor that indicates the instantaneous melt temperature during the molding process to assist in perfecting a Decoupled molding strategy to mold perfect parts. Placement of the Temp~Sense™ Sensor (US patents #7,585,166 & 6,649,095) into the Nozzle body, end cap or last to fill cavity will enable the processor to verify the thermal properties of the Polymer, promising 100% product verification. It's as simple as 1,2,3. The Temp~Sense™ melt sensor Fig. 1 takes the applied pressure (P) by the melt and measures the work applied to the polymer. The actual thermocouple meter readout displayed in our TC01 DAQ unit shows the thermal energy being imparted to the polymer instantaneously for a unique "LOOK" Fig. 2, into the barrel.



Instantaneous Temp~Sense™ Melt Data

By inserting our sensor into the melt stream and connecting to our stand TC01 DAQ, we display the instantaneous work that is being applied to the polymer via the screw drive, heater bands, back pressure etc., giving you a "Look" into the barrel. Our real time LCD display can be set to graphical mode to see the effects of temperature vs. time. Data logger software is provided; use the included software to download, display, and save data to a file. The loggers also record maximum and minimum values. Logged temperature can also be exported to comma-separated values (.csv) and text formats for display and analysis in popular spreadsheet programs such as Microsoft Excel.

What You Will Learn

We are Bridging the Gap between the Machine and the Polymer by giving you a "Look" Inside of the Barrel with a direct one-to-one Melt Temperature Reading. The Temp~Sense™ Melt-Profiler I can increase your Processing IQ by; Placement of the "Bead" tangent with the Nozzle ID, displays the Total Thermal Energy Profile of the Polymer. The Thermal Profile can be equated to the Viscosity of the material and the readout is taken every 2 seconds for fast response time.

